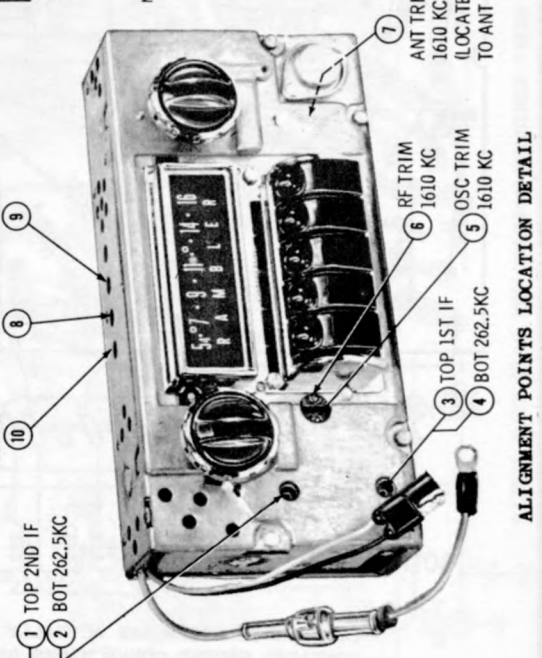
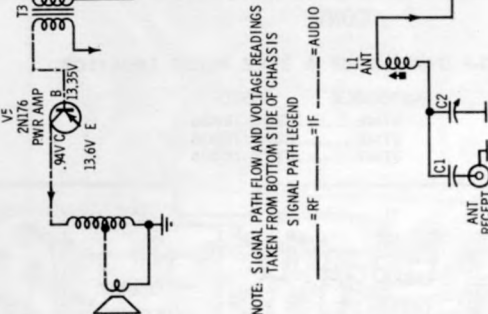
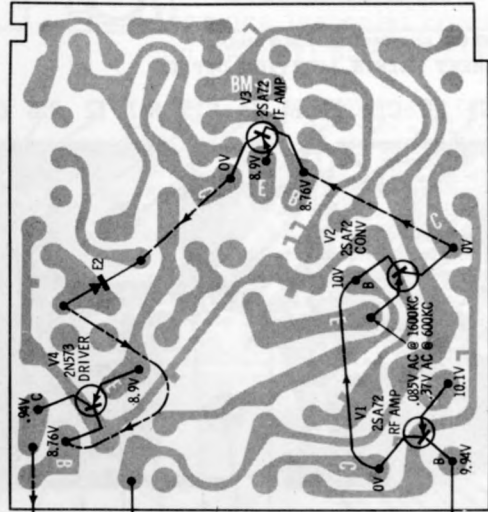
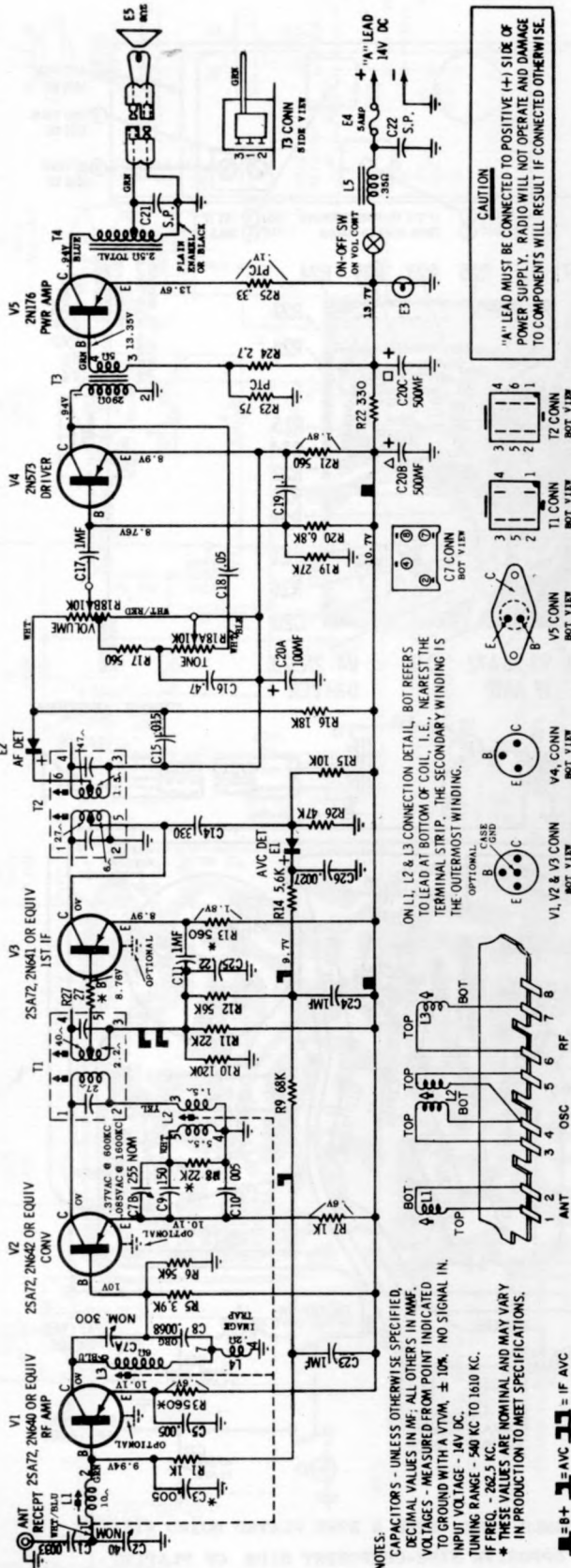


MOTOROLA

MOTOROLA 3TMR AMERICAN MOTORS 8991142

(Continued on the next page at right)



MOTOROLA

MOTOROLA 3TMR AMERICAN MOTORS 8991142

(Continued from preceding page, at left)

retaining brackets and locked in position with the chassis board locking spring. Re-solder ground lead.

TRANSISTOR REPLACEMENT - When replacing a transistor (other than the power transistor), grasp the transistor leads (between transistor body and plated chassis board) with a pair of long nose pliers to prevent excessive heating of transistor body during soldering operation.

TO SET PUSHBUTTONS

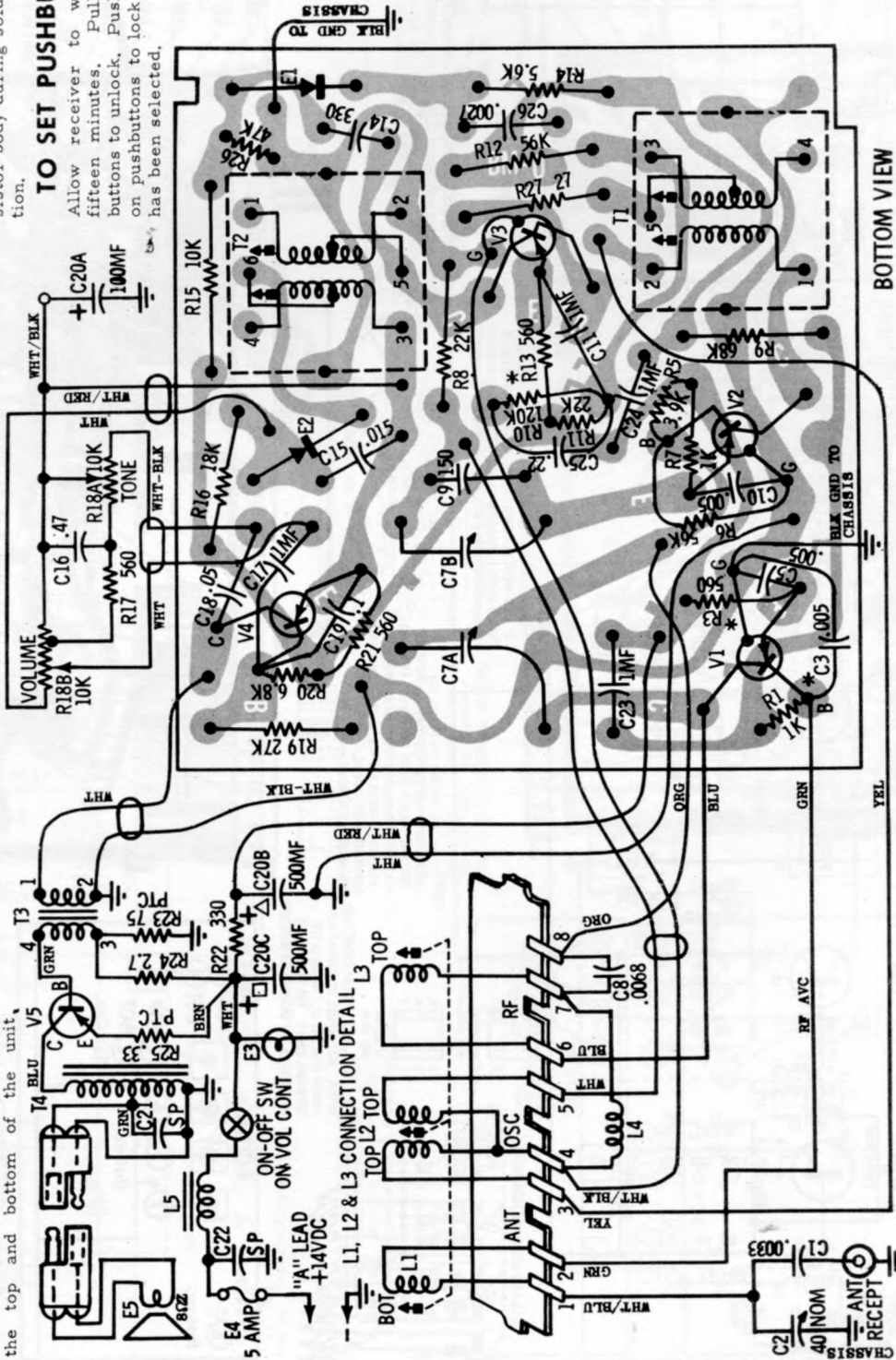
Allow receiver to warm up for fifteen minutes. Pull up on push buttons to unlock. Push down firmly on pushbuttons to lock after station has been selected.

wire from chassis housing. Release the chassis board locking spring and carefully lift chassis board out of housing. Position the chassis board vertically with respect to radio housing for servicing.

After servicing is performed, re-install plated chassis board. Make certain chassis board is properly placed in the grooves of the chassis

All B- connections are carried through the placir chassis in multiple paths to the B- side. This insures a good low resistance return path. Two separate and independent paths are provided to ground.

TO SERVICE PLATED CHASSIS BOARD - To remove the plated chassis from the radio housing, unsolder the plated chassis ground



COMPONENTS SHOWN ARE ACTUALLY LOCATED ON OPPOSITE SIDE - COMPONENT SIDE OF PLATING CONTAINS GROUND CONNECTIONS ONLY - SEE PLATED CHASSIS BOARD DESCRIPTION